

Student Name: \_\_\_\_\_  
Student Number: \_\_\_\_\_

**ELEC ENG 2CJ4**

**INSTRUCTOR NAME  
JUN CHEN**

# **McMaster University Midterm Examination**

**DAY CLASS**

**DURATION OF EXAMINATION: 1 Hour**

**McMASTER UNIVERSITY MIDTERM EXAMINATION**

**This examination paper includes 3 pages and 4 questions. You are responsible for ensuring that your copy of the paper is complete. Bring any discrepancy to the attention of your invigilator.**

- 1. Use of the McMaster Standard Calculator (Casio fx991) is allowed**
- 2. There are four questions. Please answer all of them.**

**Continued on Page 2**

## Midterm Examination

1. Find the power absorbed by the dependent source in the network in Fig.1. (25%)

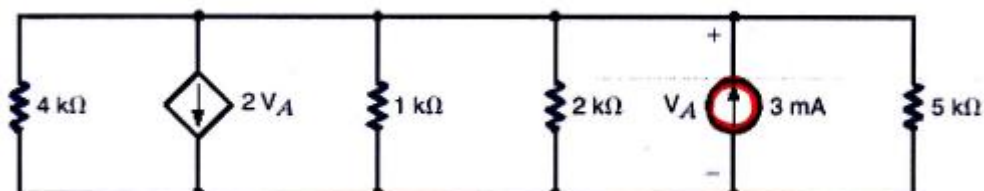


Figure.1

2. Find the output voltage,  $v_o$ , in the circuit in Fig.2. (25%)

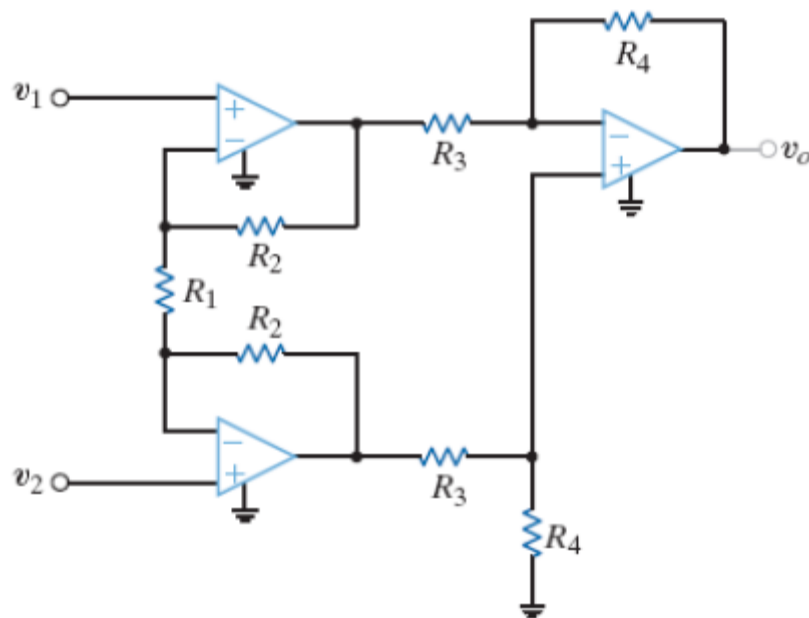


Figure.2

3. Find the transfer impedance  $V_o(s)/I_s(s)$  for the network shown in Fig.3 . (25%)

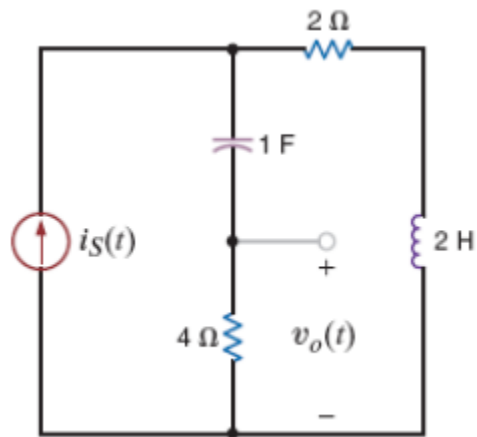


Figure.3

4. Find  $H(j\omega)$  if its magnitude characteristic is shown in Fig.4 . (25%)

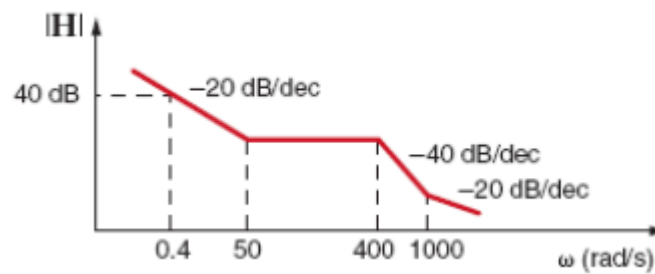


Figure.4